

# CUT SERIES

## Check Valve In-Line



### FILTRATION PRODUCTS CORP.

**(763) 428-6415**

Fax: (763) 428-8659

18151 Territorial Road

Dayton, MN 55369

[www.filtrationproducts.com](http://www.filtrationproducts.com)

### FEATURES

7 sizes - flows to 70 GPM

Maximum working pressure is 3,000 PSI

Choice of cracking pressure: .35 / 3.5 Bar, 5/50 PSI

Steel poppet type construction

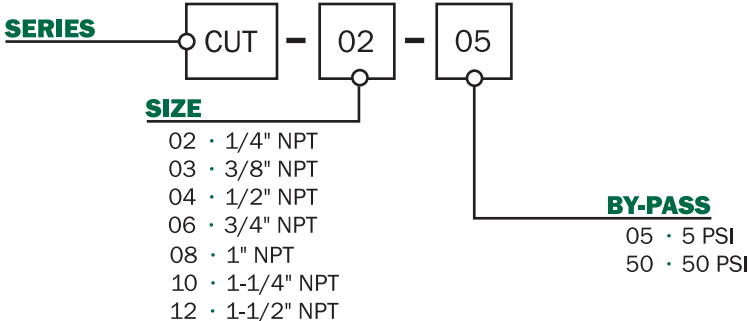
Suited for mineral / petroleum based oils

# CUT SERIES



## Check Valve In-Line

### ORDERING CODE



### SPECIFICATIONS

MODEL NUMBER	PORT SIZE (NPT)	RATED FLOW (GPM)	DIMENSIONS		WT (lbs)
			A	B	
CUT-02	1/4"	5	2.56"	.75"	.33
CUT-03	3/8"	8	2.95"	.98"	.55
CUT-04	1/2"	13	3.35"	1.18"	.88
CUT-06	3/4"	21	3.94"	1.50"	1.65
CUT-08	1"	40	4.53"	1.61"	1.98
CUT-10	1-1/4"	53	5.12"	2.17"	3.86
CUT-12	1-1/2"	70	5.20"	2.56"	5.95

### DIMENSIONS

### CROSS SECTION

