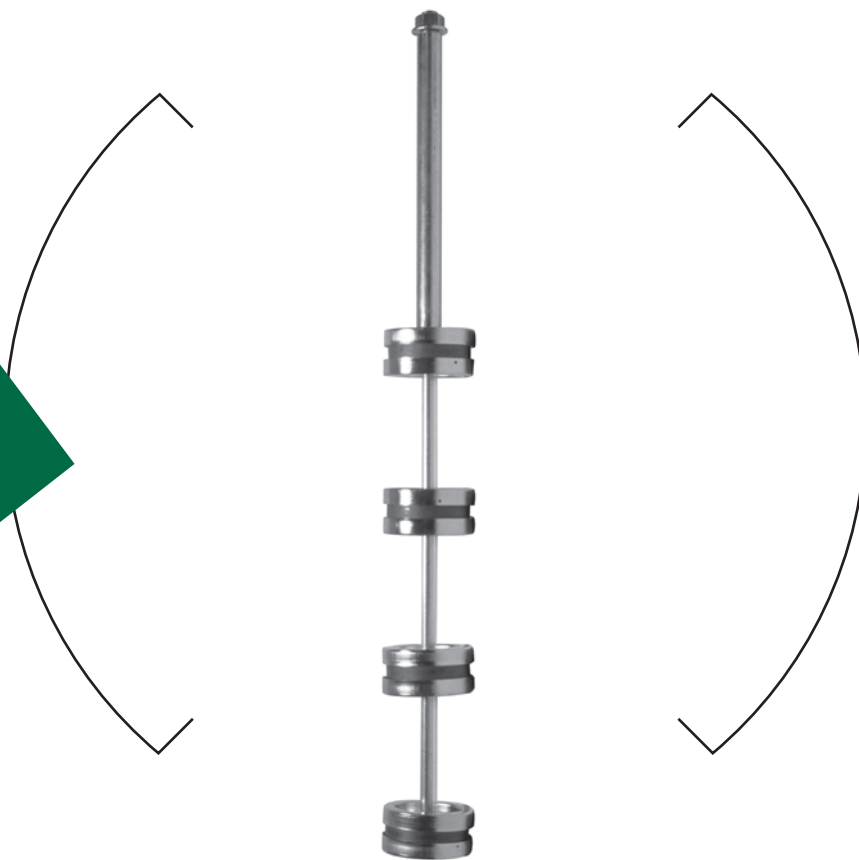


MT SERIES

Magnetic Tank Cleaner



**FILTRATION
PRODUCTS
CORP.**

(763) 428-6415

Fax: (763) 428-8659
18151 Territorial Road
Dayton, MN 55369
www.filtrationproducts.com

FP-15669-99

FEATURES

No moving parts

Decrease wear on pumps / valves, etc.

Removes ferrous contaminants

Easily removed without downtime or loss of oil

Improved performance when used with diffuser

Exceptionally efficient large ceramic magnets

MT SERIES

Magnetic Tank Cleaner



SPECIFICATIONS

MODEL	DIMENSIONS		WT (lbs)
	A	B	
MT - 18	4.9"	17.7"	2.1
MT - 21	7.9"	20.7'	2.3
MT - 24	10.8"	23.6"	2.5

DIMENSIONS

