

RD SERIES

Tank Diffusers



**FILTRATION
PRODUCTS
CORP.**

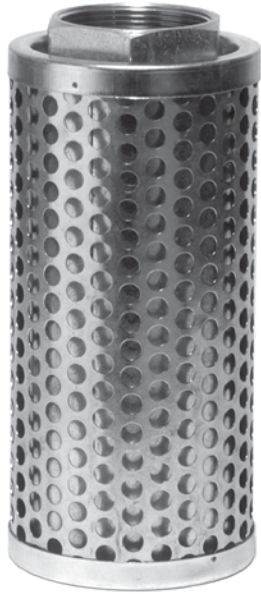
(763) 428-6415

Fax: (763) 428-8659
18151 Territorial Road
Dayton, MN 55369
www.filtrationproducts.com

FEATURES

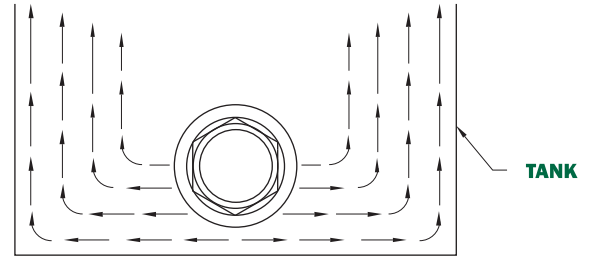
- Used in return line
- Reduces discharge velocity in two stages
- Minimizes turbulence and foaming
- Reduces aeration and noise level
- Replaces tank baffle in some applications

RD SERIES

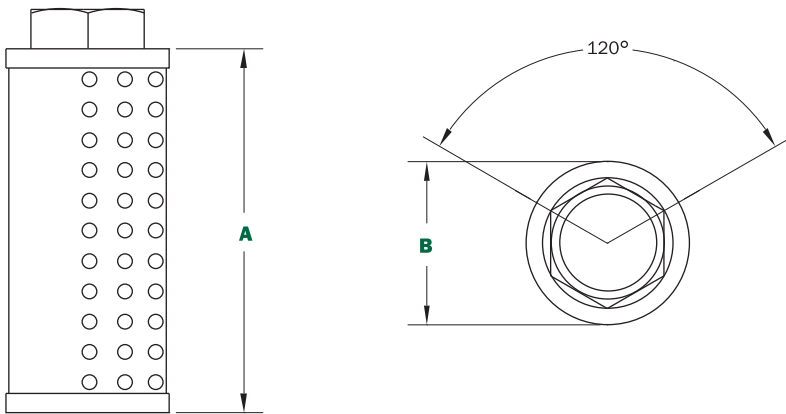


Tank Diffusers

APPLICATION



DIMENSIONS



SPECIFICATIONS

MODEL NUMBER	THREAD (NPT)	DIMENSIONS		RATED CAPACITY (GPM)	WEIGHT (lbs)
		A	B		
RD2 - 025	3/4"	3"	3.1"	26	.75
RD2 - 040	1"	4.9"	3.1"	42	.84
RD2 - 060	1-1/4"	5.9"	3.4"	63	1.10
RD2 - 080	1-1/2"	6.9"	3.9"	85	1.54
RD2 - 120	2"	7.9"	3.9"	127	1.76