

FBS SERIES

Filler Breather Threaded Style



FILTRATION PRODUCTS CORP.

(763) 428-6415

Fax: (763) 428-8659
18151 Territorial Road
Dayton, MN 55369
www.filtrationproducts.com

FEATURES

Air flow 40 CFM.

Chrome plated steel cap.

Compatible with petroleum and mineral based fluids.

Temperature to 225°F (107°C)

1/4", 3/8", 1/2", 3/4", and 1" NPT

Standard and pressurized models.

10 Micron or 40 Micron.

Dipstick optional.

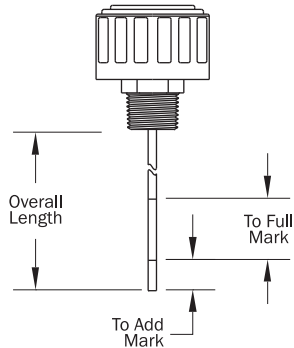
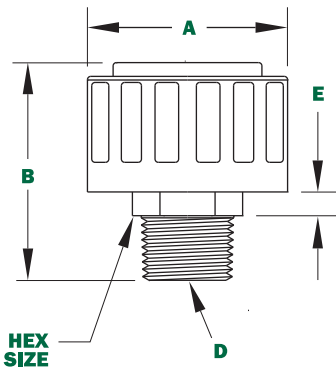
FBS SERIES

Filler Breather Threaded Style



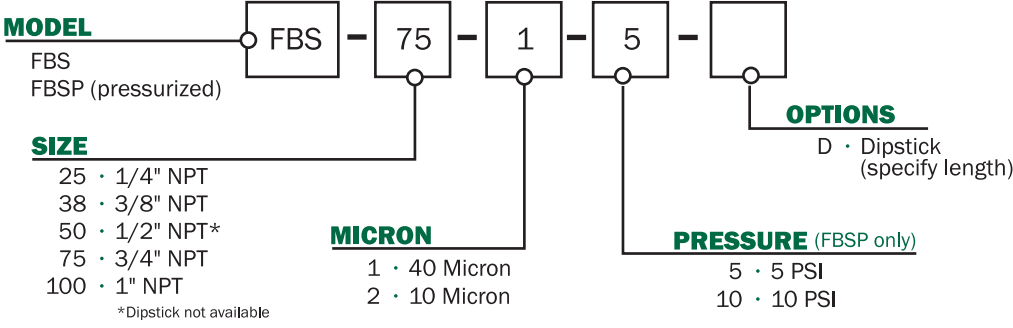
DIPSTICK (Optional)

DIMENSIONS



Please supply drawing with lengths shown above. Dipsticks will be marked full and add.

ORDERING CODE



SPECIFICATIONS

PART NUMBER	MICRON RATING	DISPLACEMENT (GPM)	AIRFLOW (CFM)	DIMENSIONS				
				A	B	HEX SIZE	D (NPT)	E
FBS-75/100	10	105	25	3.15"	2.80"	1.18"	3/4" / 1"	.5"
FBS-75/100	40	190	25	3.15"	2.80"	1.18"	3/4" / 1"	.5"
FBS-50	10	24	5	1.75"	2.5"	1.0"	1/2"	.32"
FBS-50	40	40	5	1.75"	2.5"	1.0"	1/2"	.32"
FBS-25/38	10	24	5	1.85"	2.0"	.75"	1/4" / 3/8"	.2"
FBS-25/38	40	40	5	1.85"	2.0"	.75"	1/4" / 3/8"	.2"