

TB SERIES

Giant Breather Threaded Style



**FILTRATION
PRODUCTS
CORP.**

(763) 428-6415

Fax: (763) 428-8659

18151 Territorial Road

Dayton, MN 55369

www.filtrationproducts.com

FEATURES

10 Micron filtration standard

Air flow to 165 CFM

Replaceable element

Temperature to 225°F (107°C)

Compatible with petroleum and mineral based fluids

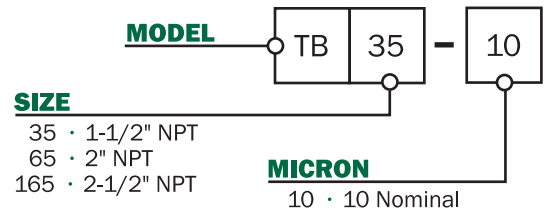
Weld flanges available (contact factory)

TB SERIES

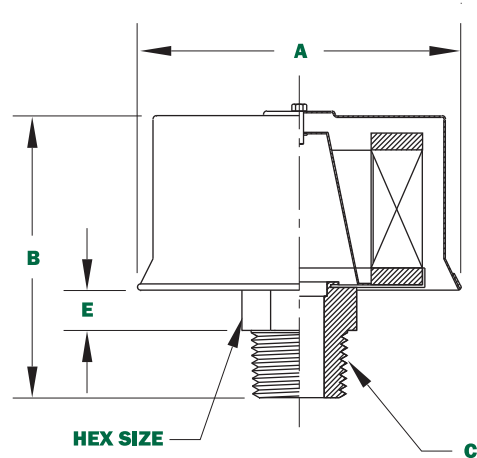


Giant Breather Threaded Style

ORDERING CODE



DIMENSIONS



SPECIFICATIONS

MODEL NUMBER	CAPACITY (CFM)	MICRON	DIMENSIONS				HEX SIZE	WEIGHT (lbs)
			A	B	C (NPT)	E		
TB35	35	10	4.33"	5.43"	1-1/2"	.47"	2.17	.88
TB65	65	10	5.71"	7.48"	2"	.59"	2.56	1.21
TB165	165	10	7.28"	7.48"	2-1/2"	.59"	3.15	2.87