

ABP SERIES

ABP Plastic Breathers



**FILTRATION
PRODUCTS
CORP.**

(763) 428-6415

Fax: (763) 428-8659
18151 Territorial Road
Dayton, MN 55369
www.filtrationproducts.com

FEATURES

Air flow to 20 CFM (ABP-08)

ABS Plastic

Compatible with petroleum and mineral based fluids

Temperatures to 275°F

3/8", 1/2", 3/4", and 1" NPT

40 Micron Filtration

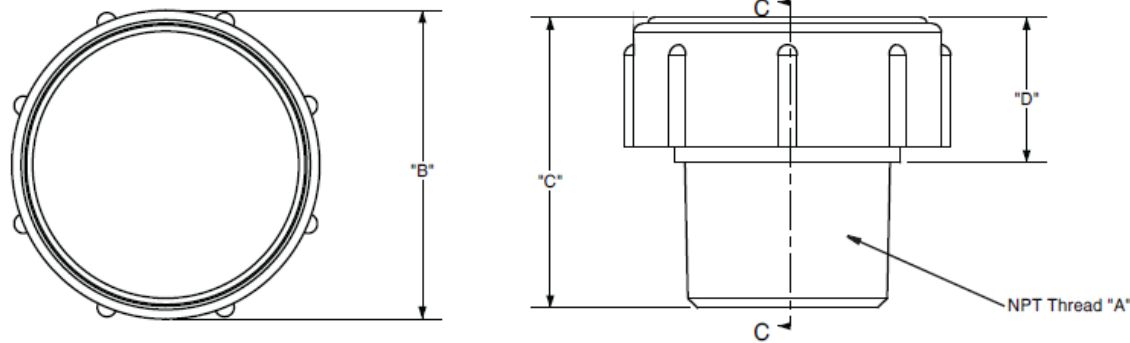
Dipstick optional



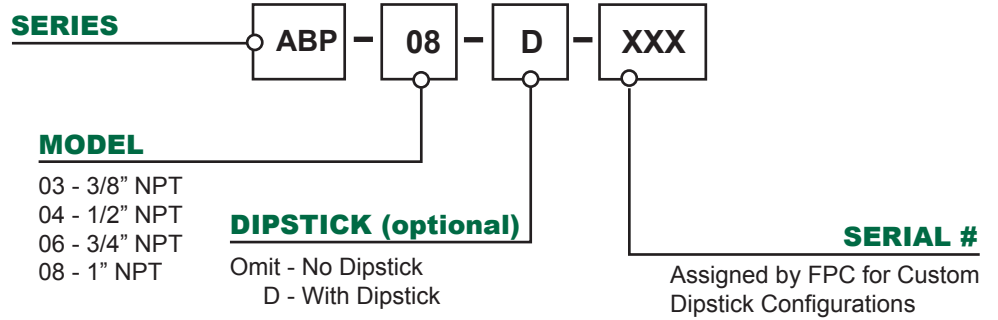
ABP SERIES

ABP Plastic Breathers

DIMENSIONS



ORDERING CODE



SPECIFICATIONS

MODEL NUMBER	THREAD: A NPT	DIMENSIONS			
		B (INCH)	B (MM)	C	D
ABP-03	3/8"	1.36"	34.54	1.31"	0.73"
ABP-04	1/2"	1.57"	39.88	1.56"	0.76"
ABP-06	3/4"	1.77"	44.96	1.60"	0.78"
ABP-08	1"	1.97"	50.04	1.93"	0.95"