

TMP SERIES

Tank Strainer



**FILTRATION
PRODUCTS
CORP.**

(763) 428-6415

Fax: (763) 428-8659
18151 Territorial Road
Dayton, MN 55369
www.filtrationproducts.com

FEATURES

Cast iron bushing

100 Mesh (149 Micron) wire mesh

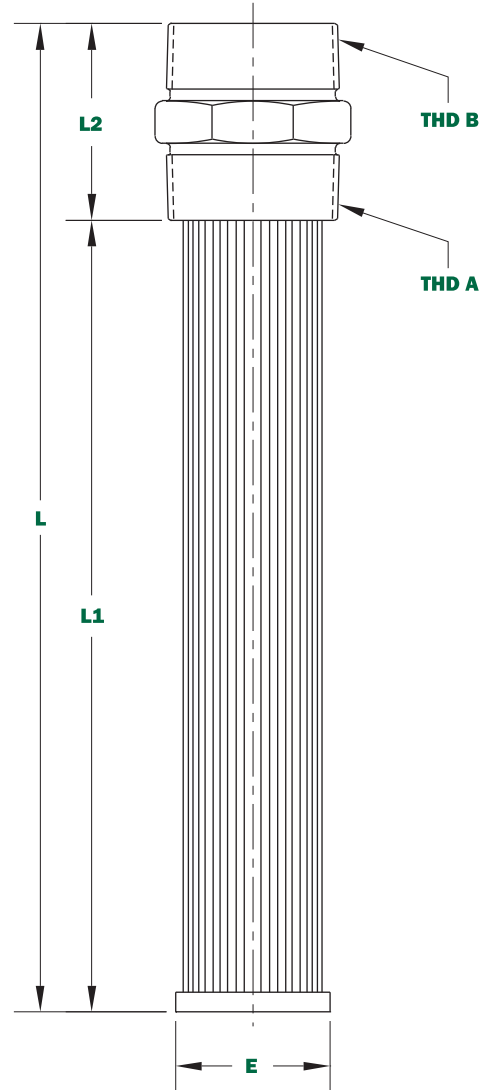
By-pass valve (3 PSI) optional

TMP SERIES

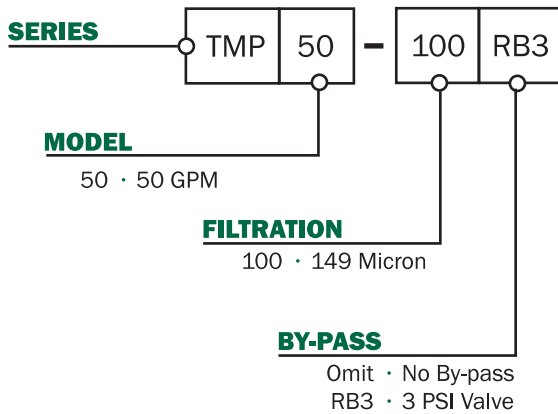
Tank Strainer



DIMENSIONS



ORDERING CODE



SPECIFICATIONS

MODEL	THD A	THD B	HEX SIZE	DIMENSIONS			
				L	L1	L2	E
TMP-50	2" NPT	2" NPT	2.75"	13.50"	10.75"	2.70"	2.12"