

TMSB SERIES

Hose Barb Tank Strainer



**FILTRATION
PRODUCTS
CORP.**

(763) 428-6415

Fax: (763) 428-8659
18151 Territorial Road
Dayton, MN 55369
www.filtrationproducts.com

FEATURES

Hose barb to O-Ring installation

5 sizes available

100 Mesh S.S.wire cloth standard

Optional by-pass (3, 5 PSI)

Includes Buna O-Ring

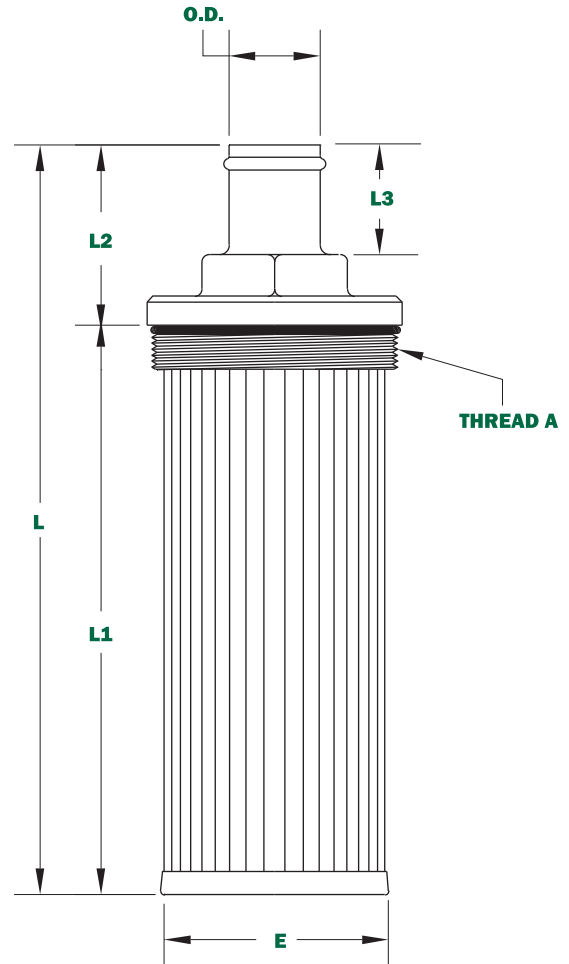
Weld flanges available (see TWF Series)

TMSB SERIES

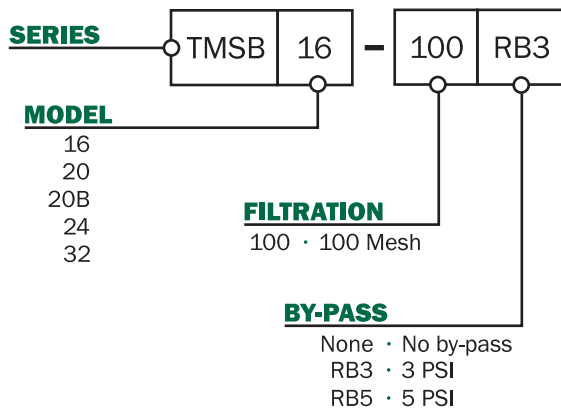
Hose Barb Tank Strainer



DIMENSIONS



ORDERING CODE



SPECIFICATIONS

MODEL NUMBER	THREAD A	O.D.	HEX SIZE	DIMENSIONS				
				L	L1	L2	L3	E
TMSB16	1-7/8"-12	1.00"	1.25"	9.30"	7.30"	2.00"	1.25"	1.65"
TMSB20	2-1/2"-12	1.25"	1.50"	10.00"	8.00"	2.00"	1.25"	2.12"
TMSB20B	3-3/8"-12	1.25"	2.00"	10.30"	7.82"	2.48"	1.50"	3.22"
TMSB24	3-3/8"-12	1.50"	2.00"	10.30"	7.82"	2.48"	1.50"	3.22"
TMSB32	3-3/8"-12	2.00"	2.50"	10.80"	7.84"	2.97"	2.00"	3.22"

Weld flanges available (see TWF Series).