

FPH 400 SERIES

High Pressure Filter 6000 PSI



**FILTRATION
PRODUCTS
CORP.**

(763) 428-6415

Fax: (763) 428-8659
18151 Territorial Road
Dayton, MN 55369
www.filtrationproducts.com

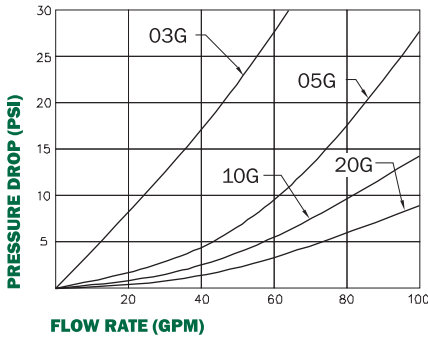
FP-99993-99

FEATURES

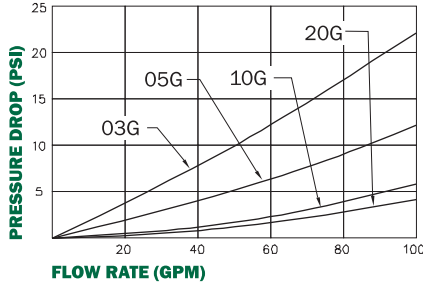
Working Pressure	6,000 PSI (413.8 BAR) Maximum
Burst	12,000 PSI (827.6 BAR) per (1/90) NFPA/T2.6.1-1974
Operating Temperature	250°F (121°C) - 20°F (-28°C)
Flows	Up to 100 GPM (378.5 LPM)
By-pass	60 PSI standard (4.1 BAR) No By-pass optional
Visual Indicator	(Standard) Electrical box optional
Construction	All ductile iron
Bowl Drain Plug	For quick, easy servicing
Weight (Approx.)	8" Bowl: 26 lbs - 16" Bowl: 39.5 lbs

PRESSURE DROP

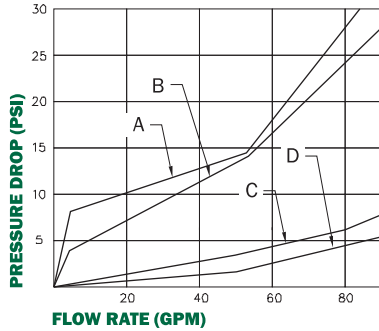
8" ELEMENT ONLY



16" ELEMENT ONLY



HOUSING ONLY



A - Reverse flow check valve standard flow direction
 B - Reverse flow check valve reverse flow direction
 C - No reverse flow check valve 1.25" ports
 D - No reverse flow check valve 1.5" ports

Clean element pressure drop using 150 SSU oil at 100°F.

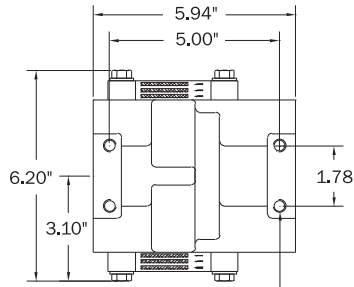
SERVICE ELEMENTS

MEDIA CODE	LENGTH	ELEMENT NUMBER	COLLAPSE RATING
B03GX	8"	FPL 0896 B03G	200
B03GH	8"	FPH 0896 V03G	3000
C03GX	16"	FPL 1696 B03G	200
C03GH	16"	FPH 1696 V03G	3000
B05GX	8"	FPL 0896 B05G	200
C05GX	16"	FPL 1696 B05G	200
B10GX	8"	FPL 0896 B10G	200
C10GX	16"	FPL 1696 B10G	200
B20GX	8"	FPL 0896 B20G	200
B20GH	8"	FPH 0896 V20G	3000
C20GX	16"	FPL 1696 B20G	200
C20GH	16"	FPH 1696 B20G	3000

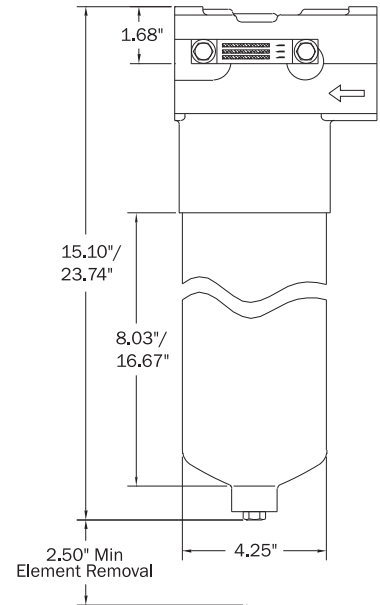
FPH 400 SERIES

High Pressure Filter 6000 PSI

DIMENSIONS



4X 3/8"-16 UNC 28 X .75 Min Full Thd



ORDERING CODE



SERIES

MODEL

- 40S • Code 61 SAE-20 o-ring + 1-1/2" 4 Bolt
- 42S • Code 62 1-1/2" 4 Bolt
- 46S • Code 62 1-1/4" 4 Bolt

ELEMENT LENGTH

- B • 8"
- C • 16"

ELEMENTS

- 03G • B₃
- 05G • B₅
- 10G • B₁₃
- 20G • B₂₂

COLLAPSE RATING

- X • 200 PSID
- H • 3000 PSID

*Code H used for no by-pass models only

SEALS

- B • Buna-N
- V • Viton

BY-PASS

- X • No by-pass
- R6 • 60 PSI
- R7 • 60 PSI rev. flow 400

INDICATION

- V • Visual, left side viewing inlet (std.)
- C • Visual, right side viewing inlet
- D • Visual, both sides
- E • AC/DC Elec. Ind. Kit 3 wire switch in conduit box, left side, viewing inlet

Voltage: 120V AC/100V DC
 Current: 250 mA
 Circuit: Normally open/
 Normally closed