

FPH 360 SERIES

High Pressure Filter 3000 PSI



**FILTRATION
PRODUCTS
CORP.**

(763) 428-6415

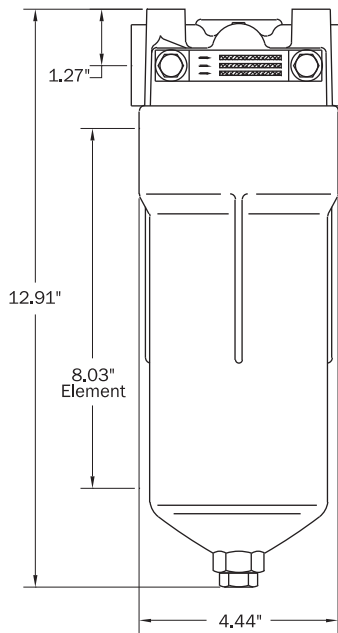
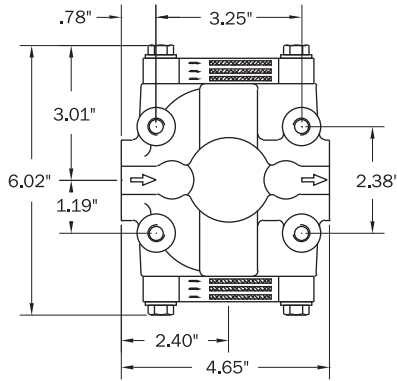
Fax: (763) 428-8659
18151 Territorial Road
Dayton, MN 55369
www.filtrationproducts.com



FEATURES

Working Pressure	3,000 PSI (206.9 BAR) Maximum
Burst	6,000 PSI (413.8 BAR) per (1/90) NFPA/T2.6.1-1974
Operating Temperature	250°F (121°C) - 20°F (-28°C)
Flows	Up to 60 GPM (227 LPM)
By-pass	50 PSI (3.5 BAR) std. No by-pass optional
Visual Indicator	(Standard) Electrical box optional
Construction	All ductile iron
Bowl Drain Plug	For quick, easy servicing
Meets AIAG HF3 Automotive	Standard (Pall 9600 Series)
Weight	26 lbs

DIMENSIONS

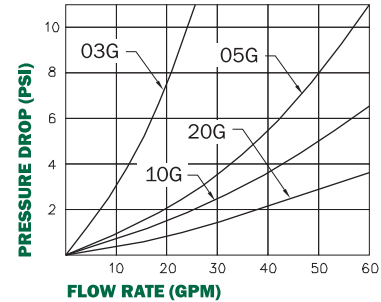


FPH 360 SERIES

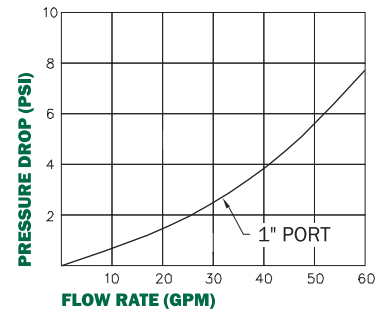
High Pressure Filter 3000 PSI

PRESSURE DROP

ELEMENT ONLY



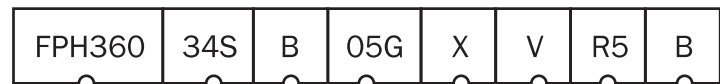
HOUSING ONLY



SERVICE ELEMENTS

MEDIA CODE	LENGTH	ELEMENT NUMBER	COLLAPSE RATING
B03GX	8"	FPL 0896 B03G	200
B03GH	8"	FPH 0896 V03G	3000
B05GX	8"	FPL 0896 V05G	200
B10GX	8"	FPL 0896 B10G	200
B20GX	8"	FPL 0896 B20G	200
B20GH	8"	FPH 0896 V20G	3000

ORDERING CODE



SERIES

MODEL

34S · 1" SAE O-Ring

ELEMENT LENGTH

B · 8"

ELEMENTS

- 03G · B₃
- 05G · B₅
- 10G · B₁₃
- 20G · B₂₂

COLLAPSE RATING

- X · 200 PSID
- H · 3000 PSID

*Code H used for no by-pass models only

SEALS

- B · Buna-N
- V · Viton

BY-PASS

- X · No by-pass
- R5 · 50 PSI

INDICATION

- V · Visual, left side viewing inlet (std.)
- C · Visual, right side viewing inlet
- D · Visual, both sides
- E · AC/DC Elec. Ind. Kit 3 wire switch in conduit box, left side, viewing inlet

Voltage: 120V AC/100V DC
 Current: 250 mA
 Circuit: Normally open/
 Normally closed