

FPD SERIES

In-Line Filter Medium Pressure



FILTRATION PRODUCTS CORP.

(763) 428-6415

Fax: (763) 428-8659
18151 Territorial Road
Dayton, MN 55369
www.filtrationproducts.com



FEATURES

Cartridge Assemblies

Pressures to 350 PSI (24 BAR)

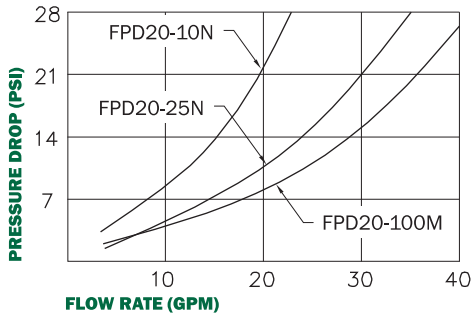
Flows to 75 GPM (284 LPM)

Suction and Return Line Models

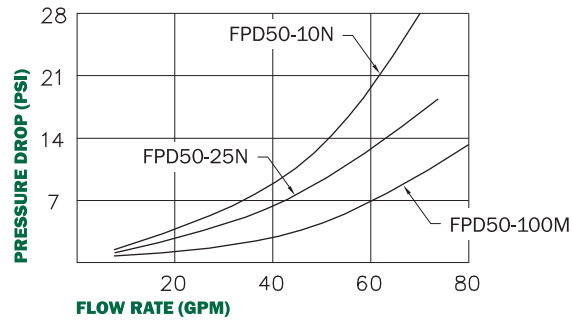
Port Sizes 1/2" to 1-1/2" NPT

Cellulose and Wire Mesh Media

FPD20



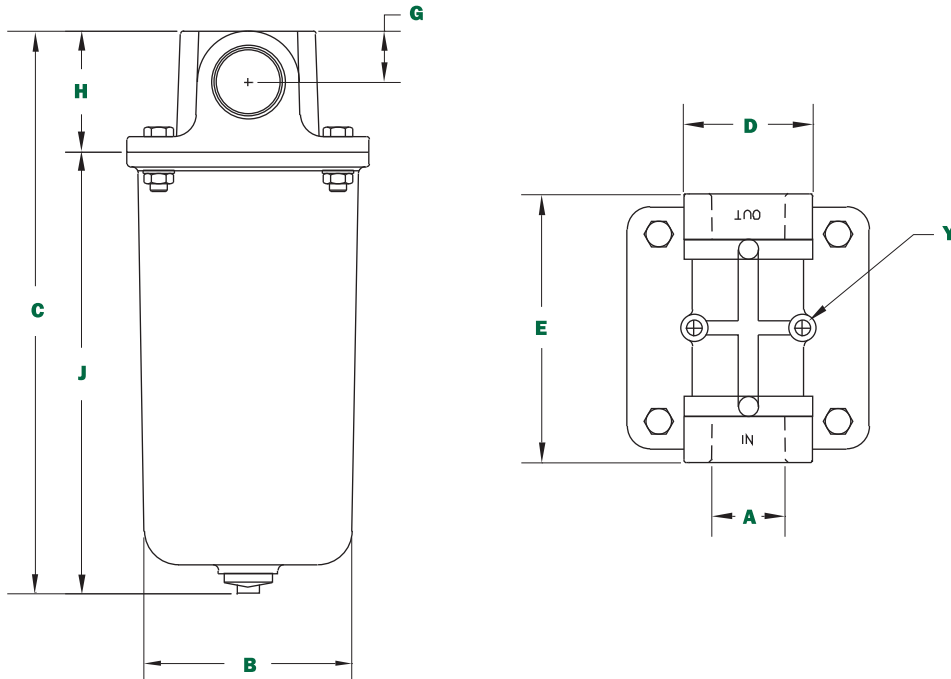
FPD50



Clean element pressure drop using 150 SSU oil at 100°F.

PRESSURE DROP

DIMENSIONS



SPECIFICATIONS

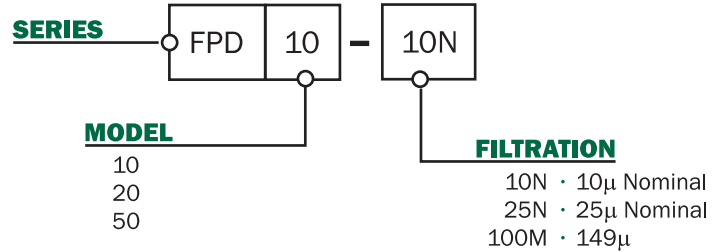
MODEL	PORT (A)	DIMENSIONS									ELEMENT AREA (Sq. In.)		WT (lbs)
		B	C	D	E	G	H	J	M	Y	10/25μ PAPER	149μ SS MESH	
FPD10	1/2"	2.50"	5.87"	1.50"	3.46"	.83"	1.73"	4.13"	.89"	3/8 - 16	143	49	1.98
FPD20	3/4" 1"	3.43"	7.28"	1.73"	4.49"	.91"	1.97"	5.31"	1.02"	3/8 - 16	342	120	3.97
FPD50	1-1/4" 1-1/2"	4.65"	11.81"	2.24"	5.59"	1.22"	2.56"	9.25"	1.97"	3/8 - 16	1122	325	7.94

FPD SERIES

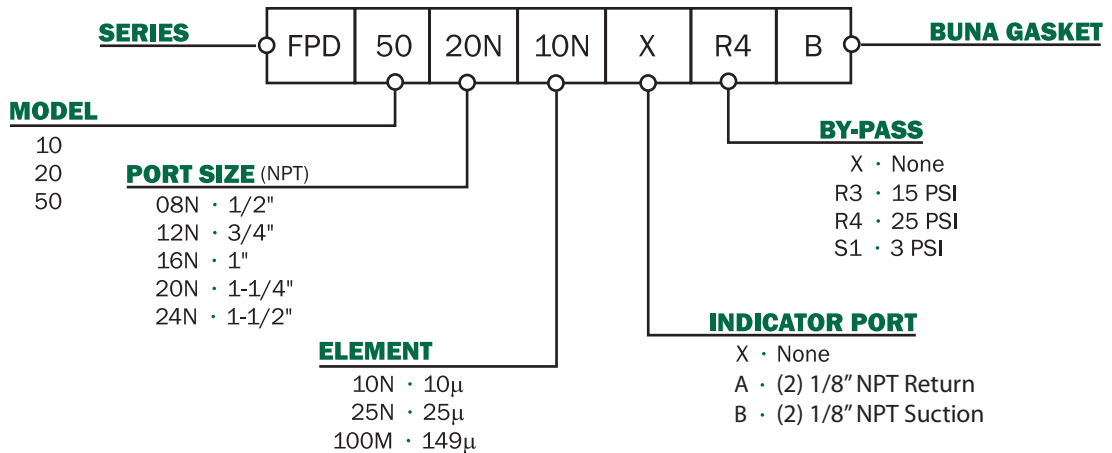


In-Line Filter Medium Pressure

FILTER ELEMENTS



ORDERING CODE



ACCESSORIES

GAUGES

P77-7003

0-60 PSI Gauge (Indication at 15 PSI)

P77-7004

0-60 PSI Gauge (Indication at 25 PSI)

P77-7021

0-30" Hg Vacuum Gauge

SWITCHES

P77-7006

Electrical (with 12" wire leads .
Set point (rising) 22 PSI.

P77-7005

Electrical (with DIN 43650 connector)
Set Point (rising) 22 PSI.