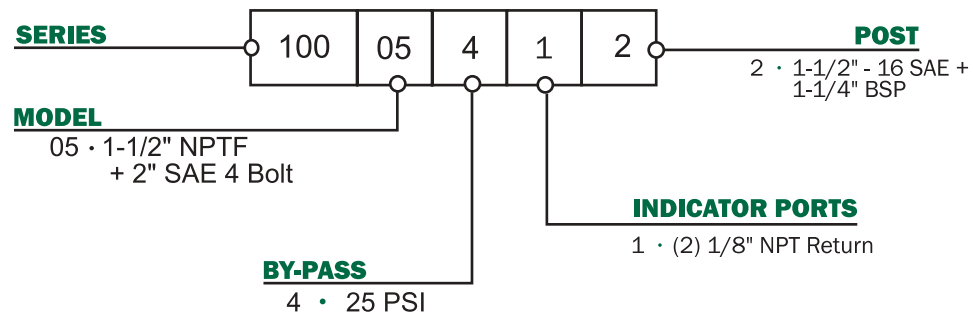


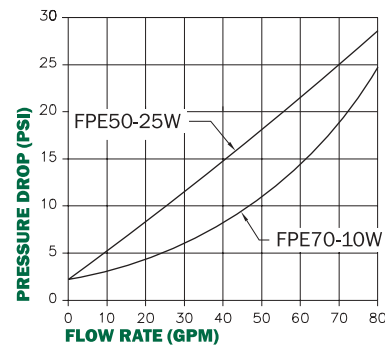
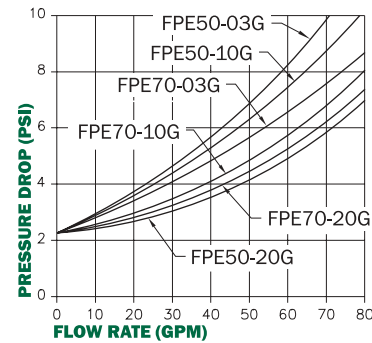
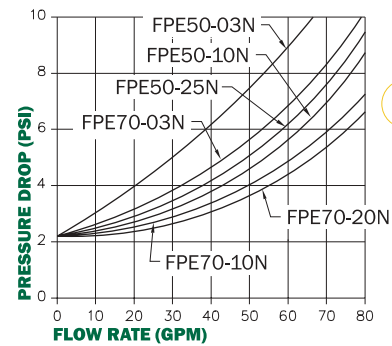
Dimensional units: inches[millimeter]

DIMENSIONS

ORDERING CODE



PRESSURE DROP



Clean element pressure drop using 150 SSU oil at 100°F.

ACCESSORIES

SEE ACCESSORY SECTION OF THIS CATALOG

GAUGES

P77-7003
0-60 PSI Gauge (Indication at 15 PSI)

P77-7004
0-60 PSI Gauge (Indication at 25 PSI)

P77-7021
0-30" Hg Vacuum Gauge

SWITCHES

P77-7006
Electrical (with 12") wire leads .
Set point (rising) 22 PSI.

P77-7005
Electrical (with DIN 43650 connector)
Set Point (rising) 22 PSI.

100 SERIES

Dual Spin-On Filter Head



STANDARD MODEL

MODEL NUMBER	PORT SIZE	BY-PASS	INDICATOR PORTS	POST SIZE
10005312	1-1/2" NPT + 2" SAE Split Flange	25 PSI	Return (2) 1/8" NPT	1-1/2" - 16, 1-1/4 BSPP

FILTER ELEMENTS

PART NUMBER	ELEMENT LENGTH	RATING B(x)=2/20/75	AREA (Sq. In.)	MEDIA TYPE
FPE 50-03N	7"	1μ/8μ/12μ	850	Cellulose
FPE 70-03N	11"	1μ/8μ/12μ	1530	Cellulose
FPE 50-10N	7"	14μ/28μ/36μ	664	Cellulose
FPE 70-10N	11"	14μ/28μ/36μ	1227	Cellulose
FPE 50-25N	7"	16μ/35μ/47μ	568	Cellulose
FPE 70-25N	11"	16μ/35μ/47μ	1052	Cellulose
FPE 70-10W	11"	10μ/18μ/ -	648	Water Removal
FPE 50-25W	7"	10μ/20μ/ -	360	Water Removal
FPE 50-03G	7"	1.5μ/2.5μ/3μ	490	Microglass
FPE 70-03G	11"	1.5μ/2.5μ/3μ	882	Microglass
FPE 50-10G	7"	2μ/7μ/12μ	490	Microglass
FPE 70-10G	11"	2μ/7μ/12μ	882	Microglass
FPE 50-20G	7"	7μ/16μ/23μ	490	Microglass
FPE 70-20G	11"	7μ/16μ/23μ	882	Microglass
FPE 50-100M	7"	149μ	213	Wire Mesh
FPE 70-100M	11"	149μ	365	Wire Mesh