

15 SERIES

Spin-On Filter Head



**FILTRATION
PRODUCTS
CORP.**

(763) 428-6415

Fax: (763) 428-8659
18151 Territorial Road
Dayton, MN 55369
www.filtrationproducts.com

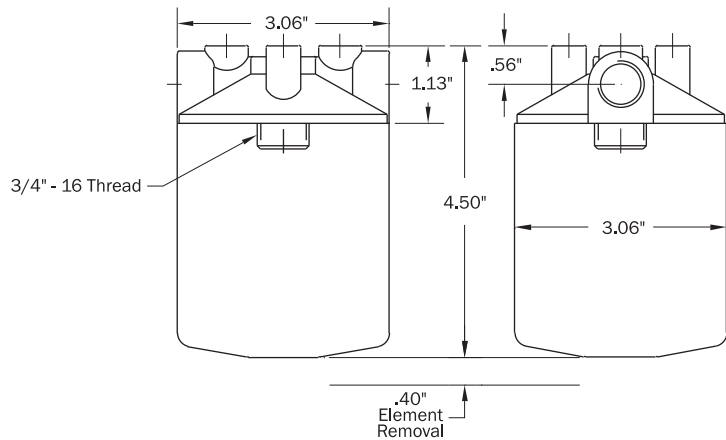
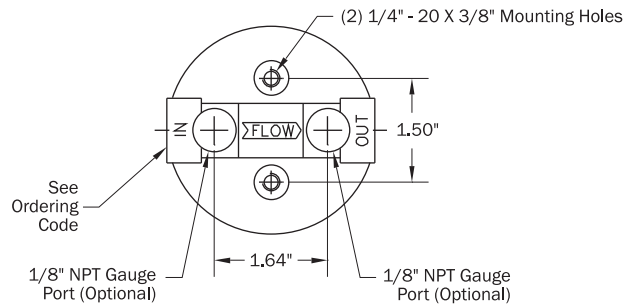
SPECIFICATIONS

Port Sizes	1/4", 3/8" NPT and SAE 6
Working Pressure	200 PSI (13.7 BAR) Maximum
Flow Capacity	7 GPM (Return), 2 GPM (Suction)
Operating Temperature	225°F (107°C) Maximum
Shipping Weight	.24 lbs
Fluid Compatibility	Petroleum based oils, high water based fluids, water glycols and oil/water emulsions
Post Size	3/4" - 16 SAE

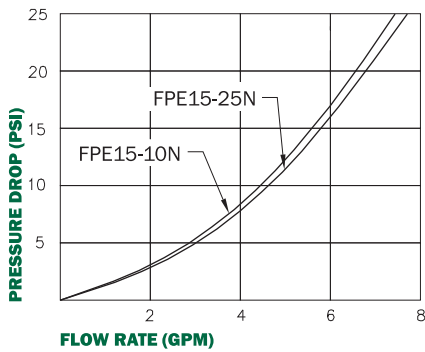
15 SERIES

Spin-On Filter Head

DIMENSIONS

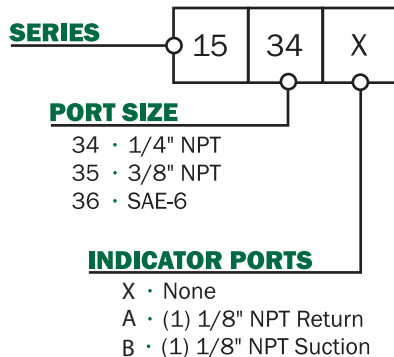


PRESSURE DROP



Clean element pressure drop using 150 SSU oil at 100°F.

ORDERING CODE



FILTER ELEMENTS

(ORDERED SEPARATELY)

PART NUMBER	MICRON RATING	BY-PASS	AVG. BETA
FPE15-10N	10	None	2
FPE15-10N-18	10	18 PSI	2

- Other micron and by-pass configurations are available.
- 200 PSI maximum operating pressure. (80 PSI maximum without by-pass.)
- Operating temperature to 225°F (107°C).
- Petroleum based fluids only.

Note: Do not use these filter elements on internal combustion engines.